



**SHOX5**

**4600 SEAT INFOSET**



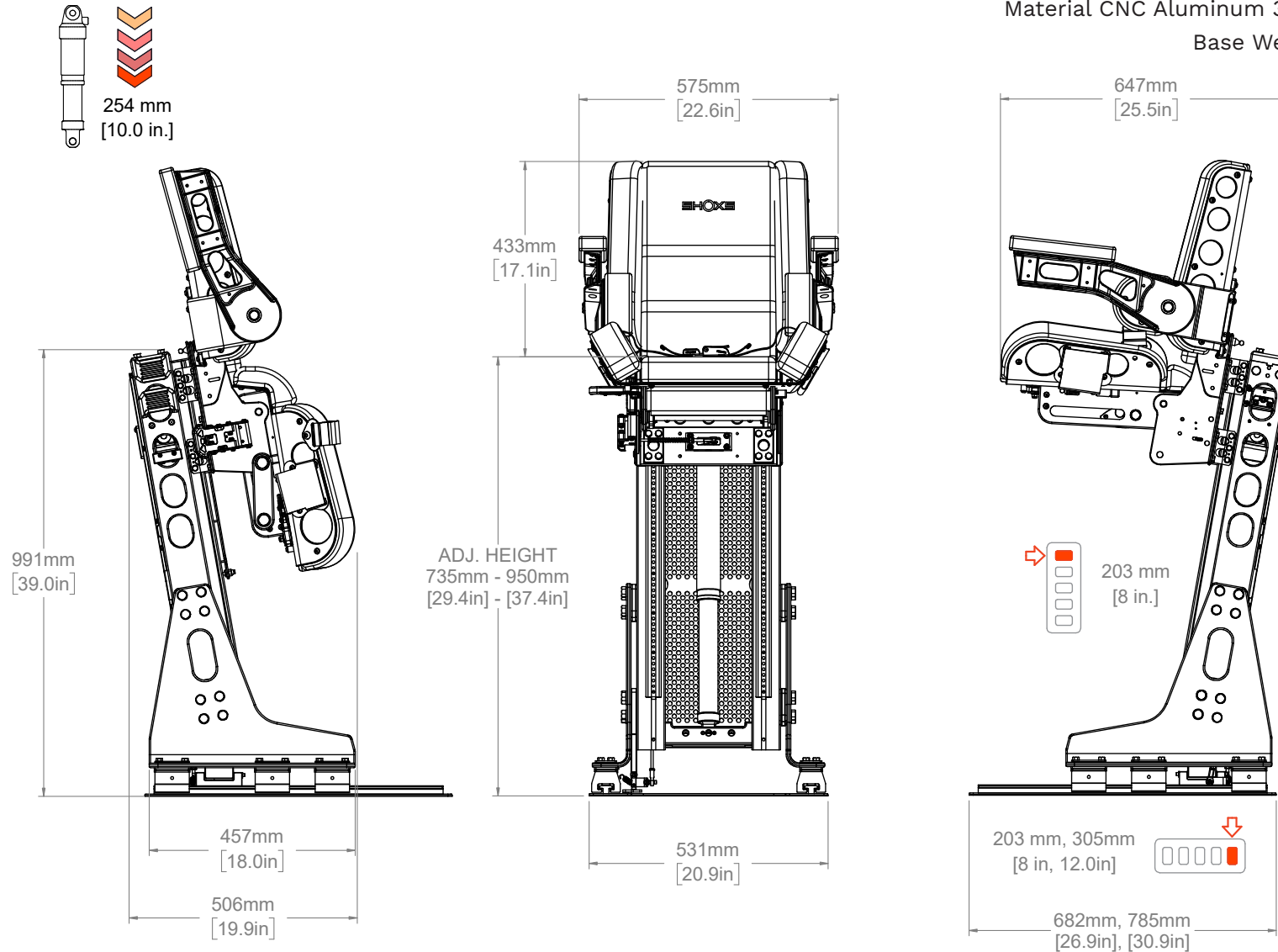
## 4600 SEAT OVERVIEW

Human Engineering Reference MIL-STD-1472G

Suspension Travel 254 mm / 10 inch

Material CNC Aluminum 316 SS / Titanium

Base Weight 49.5 / 110 lb



ALLSALT MARITIME OWNER OF SHOX5 AND KINETIX / ALLSALT.COM / SHOX5.COM / 1 (888) 637.4697



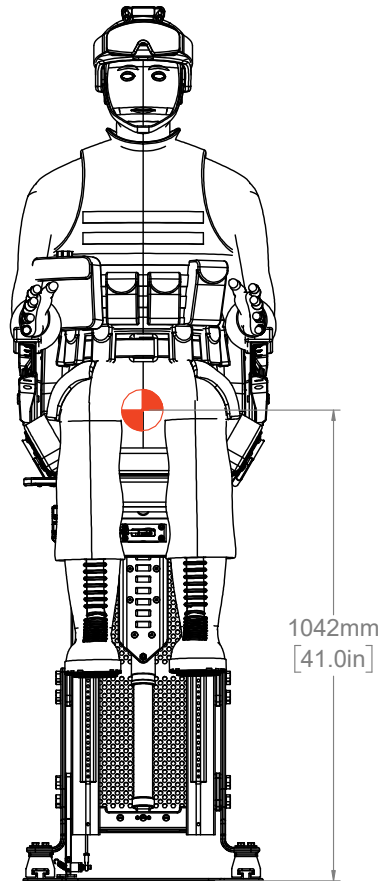
## 4600 SEAT CENTER OF MASS

Human Engineering Reference MIL-STD-1472G

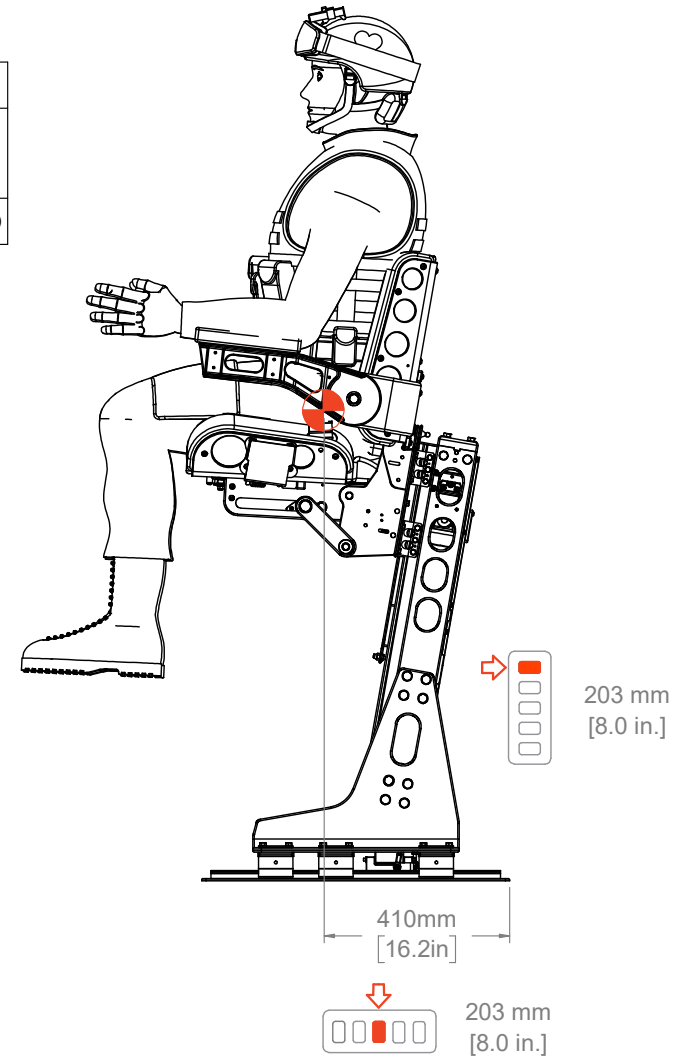
Suspension Travel 254 mm / 10 inch

Material CNC Aluminum 316 SS / Titanium

Base Weight 49.5 / 110 lb



MASS OF SEAT	49.5 kg (109.0 lb)
MASS OF 95TH PERCENTILE MALE	97.2 kg (213.8 lb)
TOTAL MASS	146.7kg (322.8 lb)



 CENTER OF MASS

ALLSALT MARITIME OWNER OF SHOXS AND KINETIX / ALLSALT.COM / SHOXS.COM / 1 (888) 637.4697



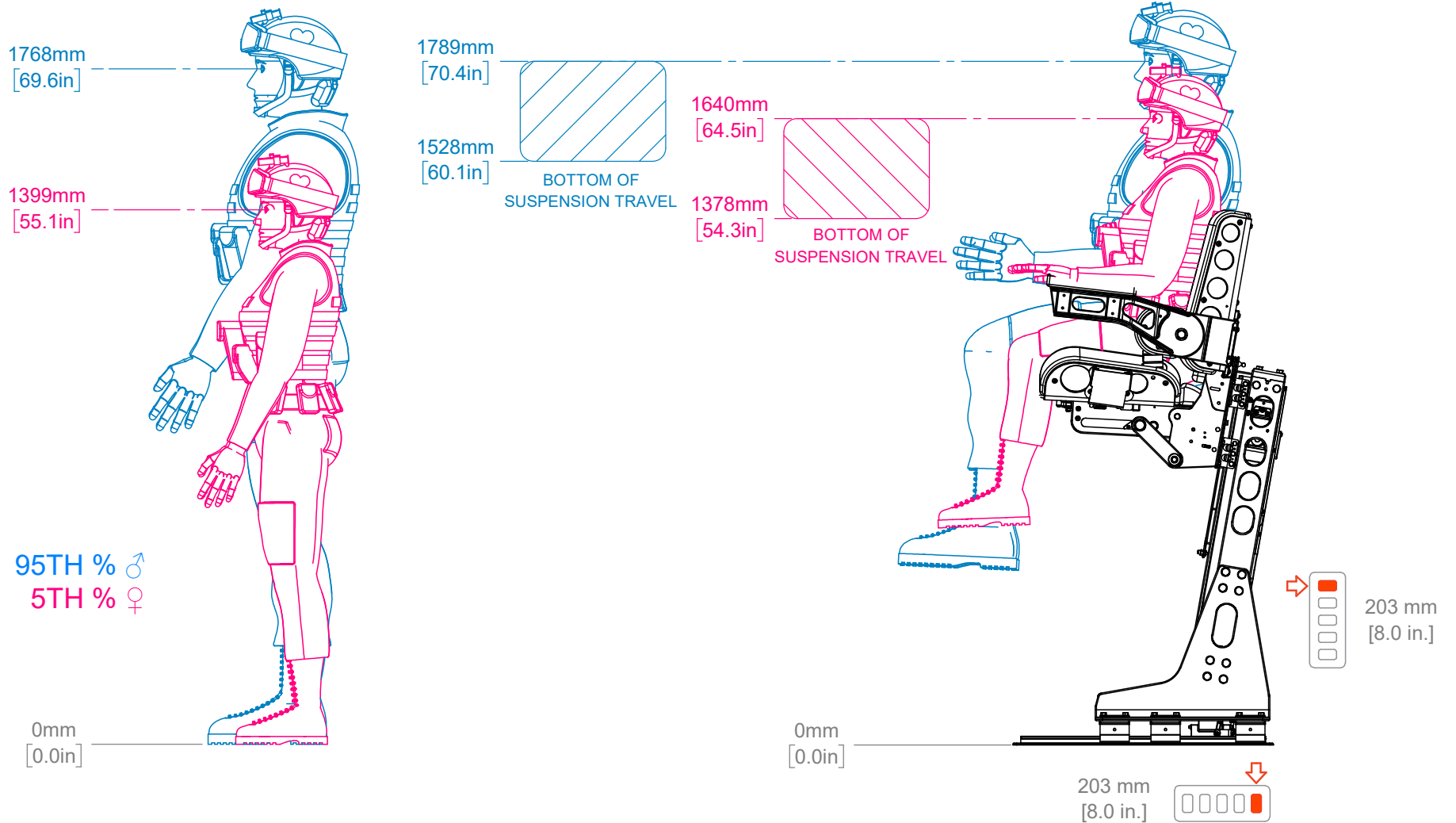
# 4600 SEAT SIGHTLINES

Human Engineering Reference MIL-STD-1472G

Suspension Travel 254 mm / 10 inch

Material CNC Aluminum 316 SS / Titanium

Base Weight 49.5 / 110 lb



ALLSALT MARITIME OWNER OF SHOXS AND KINETIX / ALLSALT.COM / SHOXS.COM / 1 (888) 637.4697



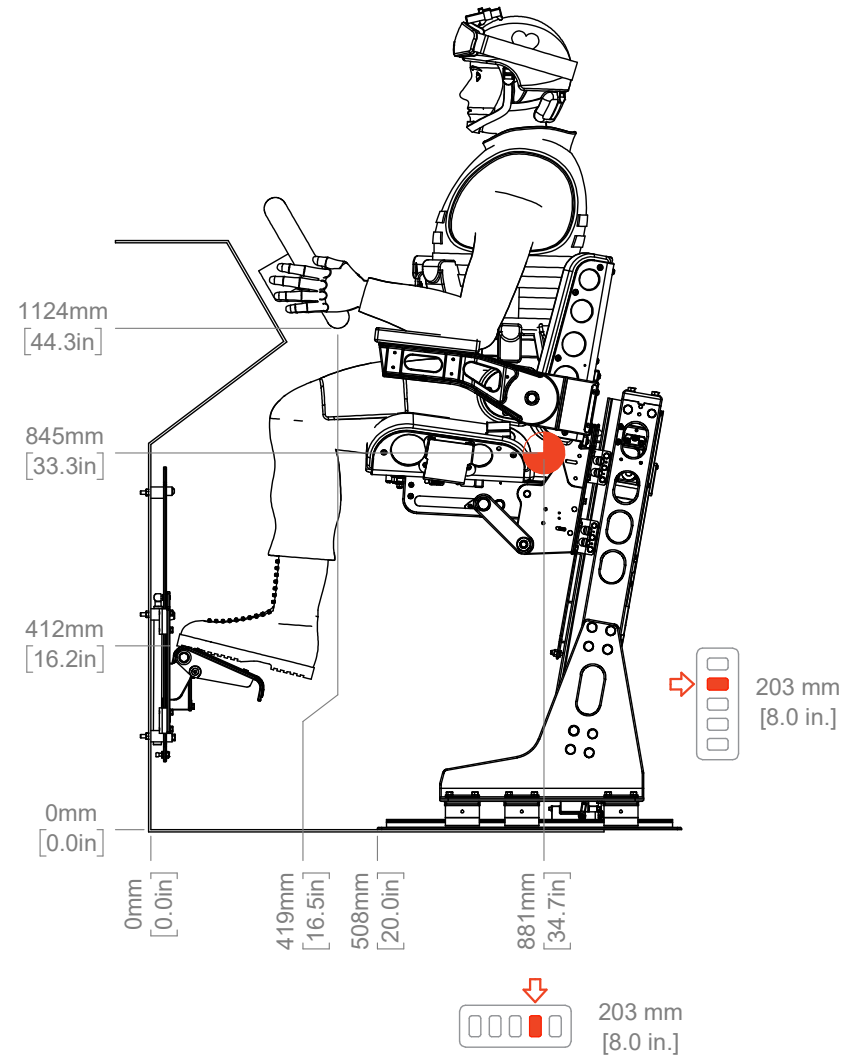
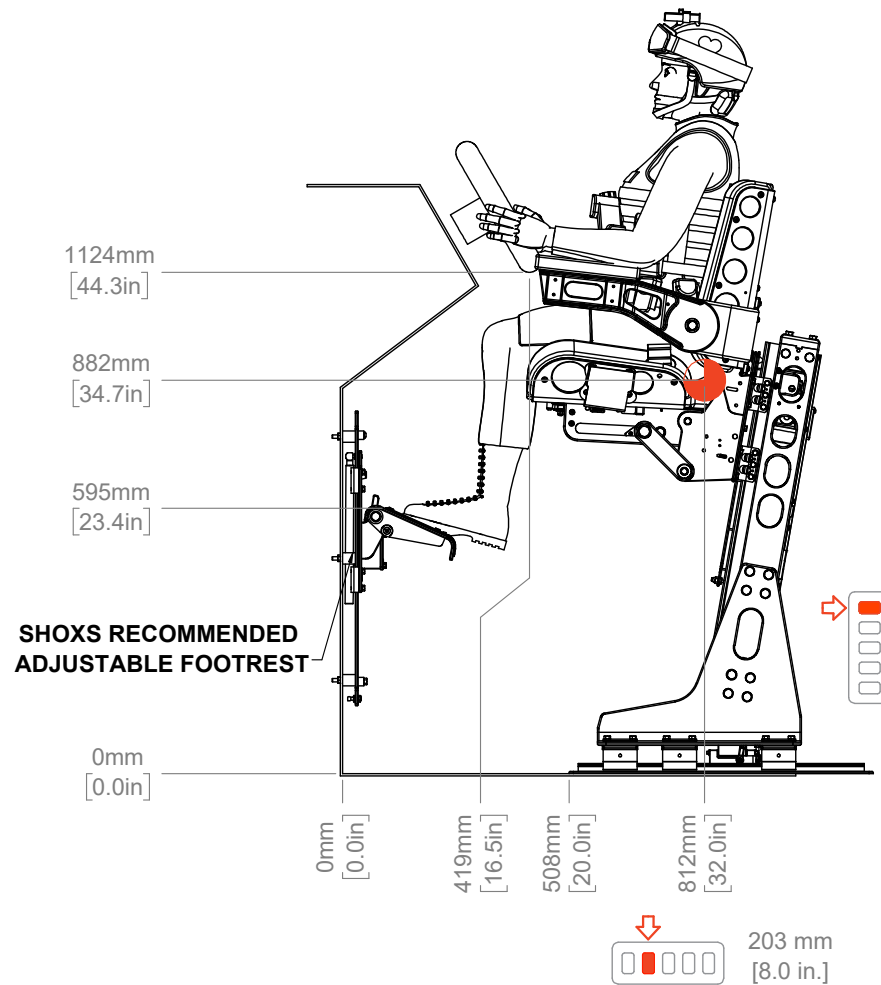
# 4600 SEAT CONSOLE ERGONOMICS

Human Engineering Reference MIL-STD-1472G

Suspension Travel 254 mm / 10 inch

Material CNC Aluminum 316 SS / Titanium

Base Weight 49.5 / 110 lb



 SEAT REFERENCE POINT (SRP)

ALLSALT MARITIME OWNER OF SHOX5 AND KINETIX / ALLSALT.COM / SHOX5.COM / 1 (888) 637.4697



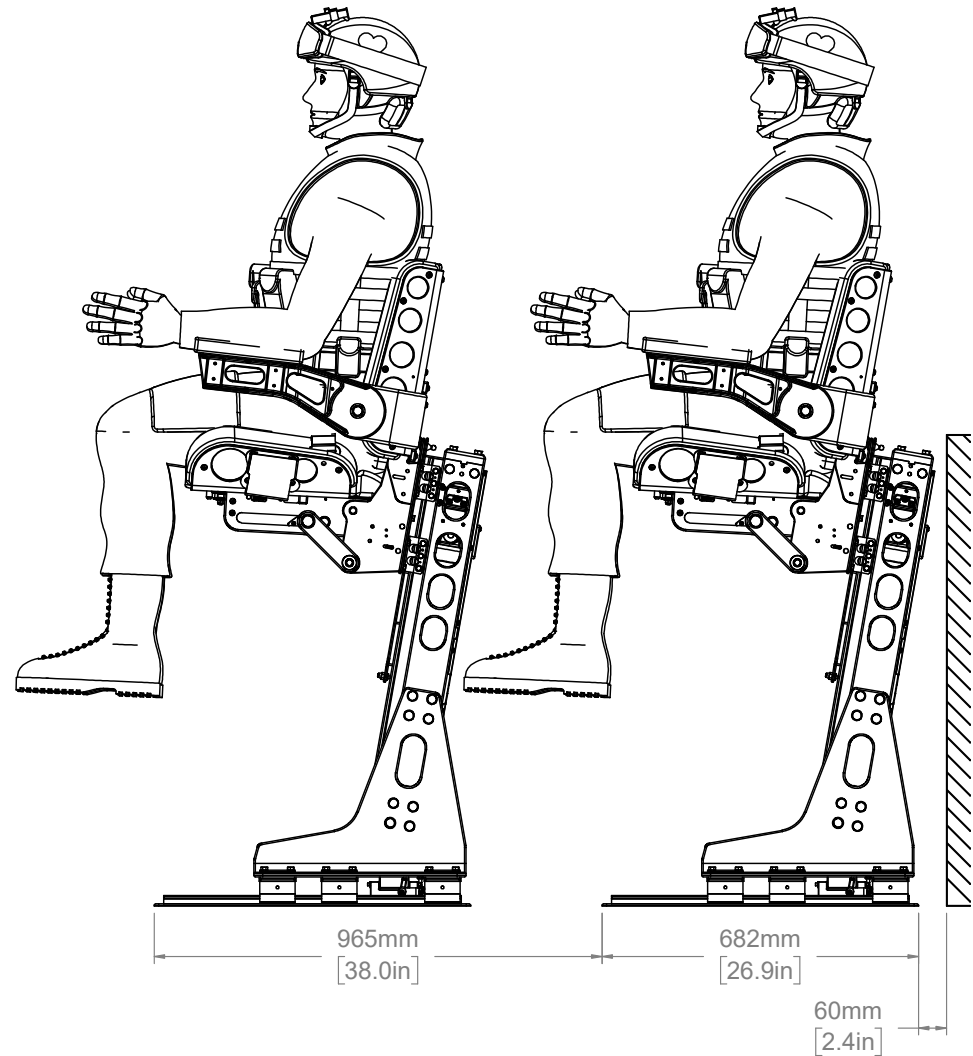
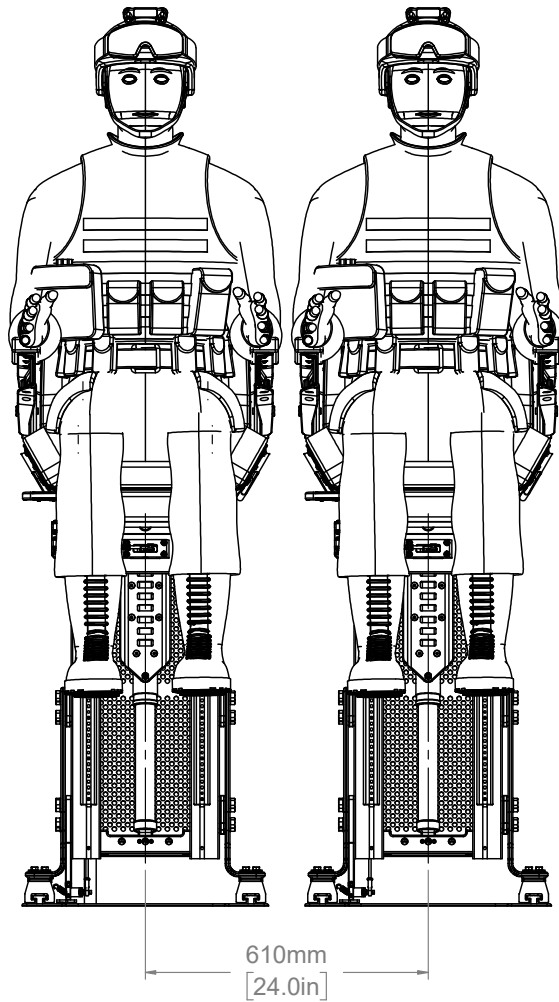
## 4600 SEAT SPACING

Human Engineering Reference MIL-STD-1472G

Suspension Travel 254 mm / 10 inch

Material CNC Aluminum 316 SS / Titanium

Base Weight 49.5 / 110 lb



ALLSALT MARITIME OWNER OF SHOX5 AND KINETIX / ALLSALT.COM / SHOX5.COM / 1 (888) 637.4697